

### 3.96mm WTB (V3.96A) Series Connector:



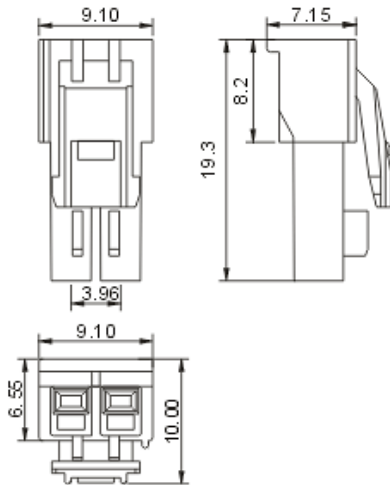
#### SPECIFICATIONS

Pitch:	3.96 mm
Useable Wire Range:	AWG 24# ~ 18#
Current Rating:	7A, AC, DC
Voltage Rating:	250V, AC, DC
Operating Temperature:	-25°C ~ +85°C
Relative Humidity:	93%, +40°C
Dielectric Withstanding:	1500V AC/minute
Contact Resistance:	≤ 10 mΩ/Contact
Insulator Resistance:	≥ 1000 MΩ at 100V

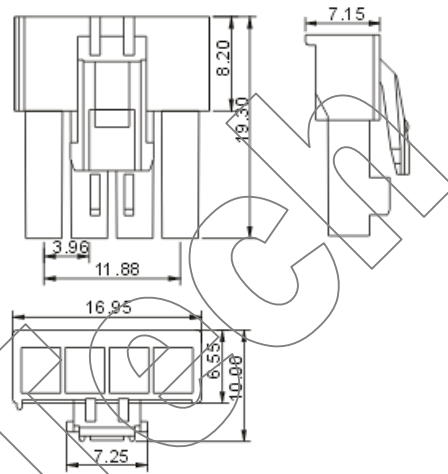
Material:	
Base:	Nylon66/ Nylon6T, UL94V-0
Contact Pin:	Brass
Housing:	Nylon66, UL94V-0
Terminal:	Phosphor Bronze

#### ROHS Compliance

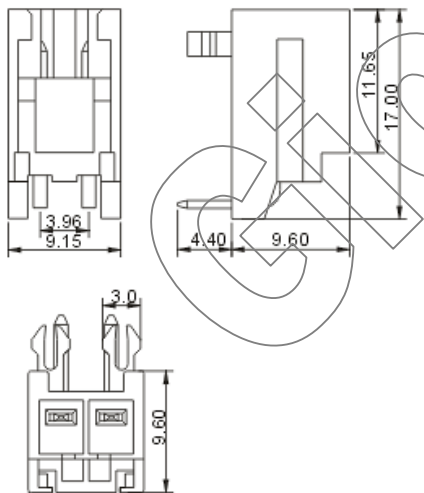
#### V3.96A-2Y



#### V3.96A-4Y



#### V3.96A-2AW



#### V3.96A-4AW

